

# TRANSPORT LOGISTICS CHECKLIST



**date of enquiry**  
**contact datas**

Bloksma customer no.  
company  
adress

country  
name  
telephone  
mobile number  
Mail adress

**quantity** \_\_\_\_\_ pc.

**required loading weight** \_\_\_\_\_ kg

**height of loading unit** \_\_\_\_\_ mm

**transportart**

- taxi cart                      trolley entered by ramp – bothside
- portal cart                    trolley stays on its own wheels during trip (4 swivel castors needed) – both side
- shelve cart                    small container on different levels  
please insert number of levels \_\_\_\_\_ piece
- platform cart                for large container – loading via floor truck

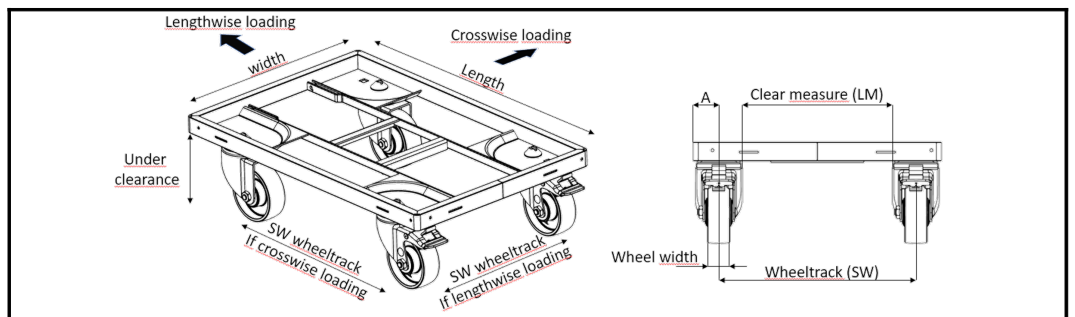
**container to be transported**

- KLT's
  - 400 x 300
  - 600 x 400
  - different size (please insert) \_\_\_\_\_ mm
- pallet
  - 1.200 x 800
  - 1.200 x 1.000
  - different size (please insert) \_\_\_\_\_ mm
- wired box
  - 1.200 x 800
  - different size (please insert) \_\_\_\_\_ mm
- trolley
  - 600 x 400
  - 800 x 600
  - 1.200 x 800
  - different size (please insert) \_\_\_\_\_ mm
- other points (please describe)  
\_\_\_\_\_

**for trolley**

- part-no./ type
- not BLOKSMA / unknown
- length \_\_\_\_\_ mm
- width \_\_\_\_\_ mm
- height \_\_\_\_\_ mm
- track width \_\_\_\_\_ mm
- wheel width \_\_\_\_\_ mm
- drawbar  yes  
 no

**please send a drawing / photo / 3D-Step-Data**



**wheel combination**

- 2 fix & 2 swivel wheels
- 4 swivel wheels
- different wheel combination (please describe)  
\_\_\_\_\_

**taxi-/portal cart**

number of cells

 1 cell 2 cells 3 cells 4 cells

loading direction

 oneseid oneseid crosswise bothside lengthwise bothside crosswise

steering system

 trailing  
2 swivel & 2 fix rolls by steering rod  
4 swivel rolls**trailer (please submit picture/drawing)**

brand

type/description

coupling at trailer

 drawbar coupling

Exact details will be clarified in case of order!

remark/description to route (floor conditions/incline/decline/ramp/...)

\* please note

BLOKSMA carts are only suitable for indoor use.

For now BLOKSMA does not offer any products to be used outside.

Remark: if you have any questions regarding particular parameters, please contact our office or salesperson in your area

you will find more detailed descriptions to the individual terms under [www.bloksma.de](http://www.bloksma.de) or in our catalogue!