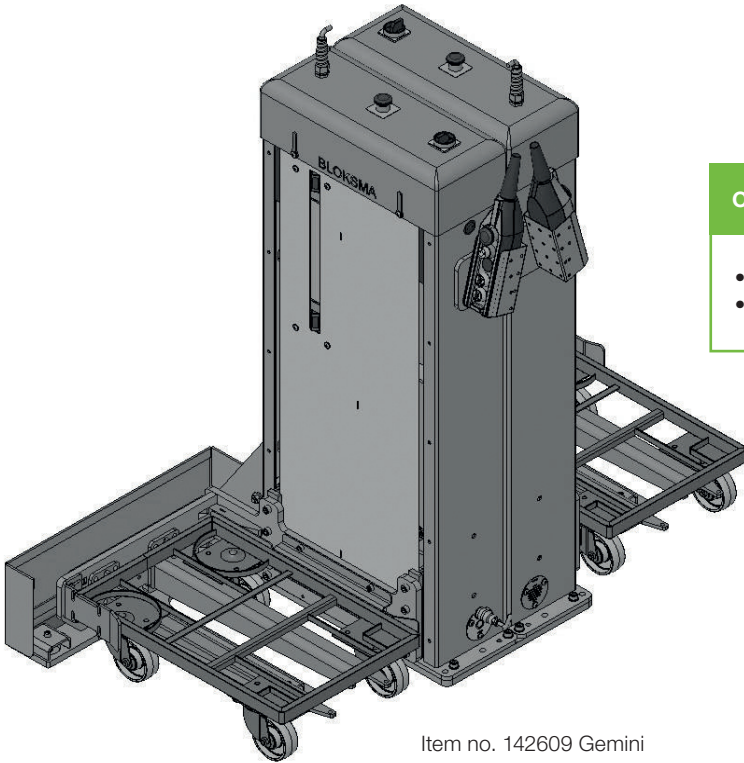


# LIFTERS GEMINI AND TANDEM

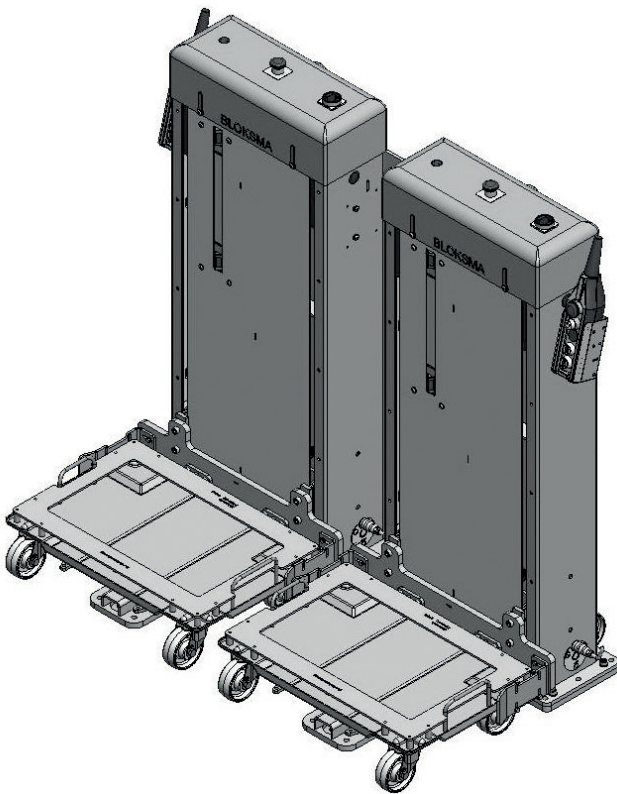
HES-G / HES-T



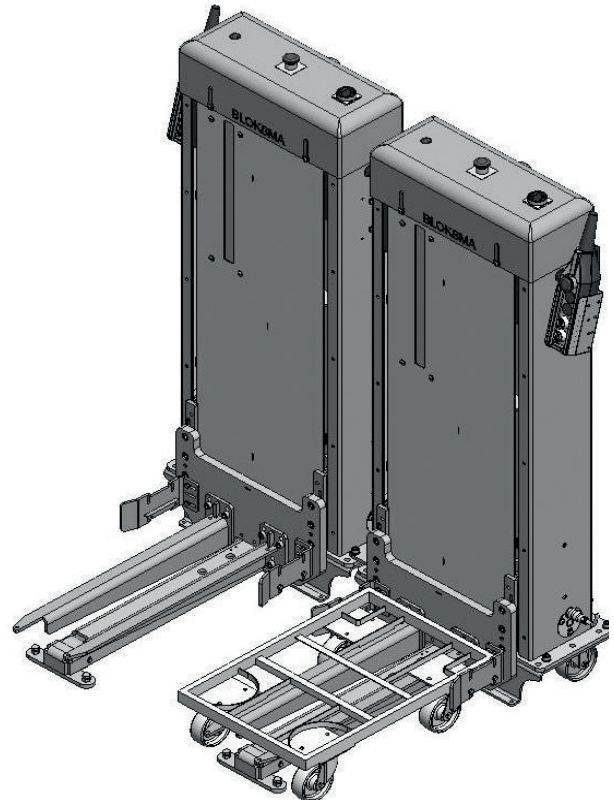
Item no. 142609 Gemini

## OPTIONAL

- Sensoric height adjustment
- trolley load control



Item no. 201171 Tandem  
trolley is pushed onto the forks crosswise



Item no. 147827 Tandem  
trolley is pushed onto the forks lengthwise

**Other models / dimensions on request**

Subject to technical changes



This lifter is designed to lift and lower fully loaded trolleys for ergonomic working at assembly work stations or machines. The weight capacity is 200 kg–300 kg per side and has a working height of 935mm. This lifter must be stationary.

The connection wattage is 230V/50HZ with 16A security. The average lifting speed is 31mm/s (upon request 47mm/s and other speeds are possible). The energy requirement per model lies between 0.25kW and 1.1kW.

The lifter is suitable for BLOKSMA trolleys BOF + BOZ.

**For more information please turn to page 12 (chapter trolleys).**

The standard control element is an external operating panel.

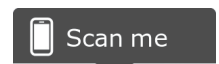
**For more information please turn to page 78 (chapter Control Elements).**

## GEMINI

stationary	size of trolley	direction of load capacity	lifting capacity	lift height on level (GOK)
142609	600x400mm 630x430mm	lengthwise	200 kg on each side	935mm
145147	600x400mm 630x430mm	lengthwise	300 kg on each side	935mm

## TANDEM STATIONARY

stationary	size of trolley	direction of load capacity	lifting capacity	lift height on level (GOK)
201171	600x400mm 630x430mm	crosswise	200 kg	935mm
147827	600x400mm 630x430mm	lengthwise	200 kg	935mm



Video



Please Note: Lifters used in the US may have different connection values (110V) and different article numbers. Please fill out the check list provided and let us know your desired connection voltage.

**Other models / dimensions on request**

Subject to technical changes