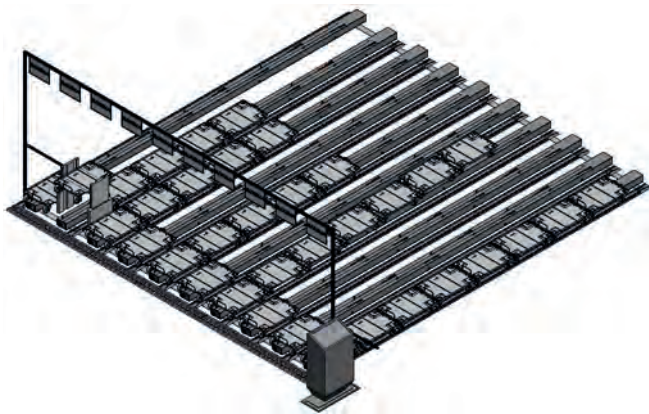


SUPERMARKET WITH AUTOMATED REFILL OPTION

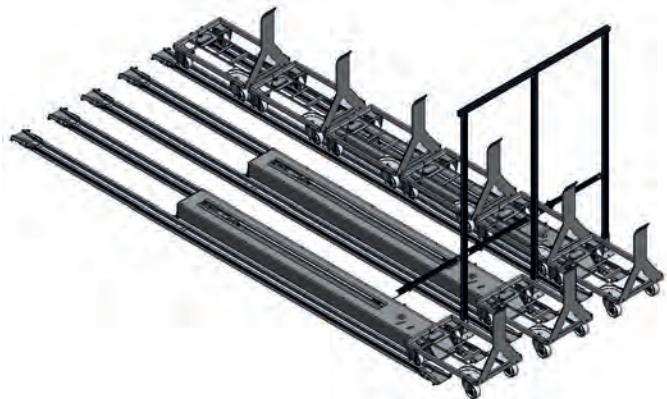
3



Article 210545 Automated refill device



Supermarket with automated refill devices



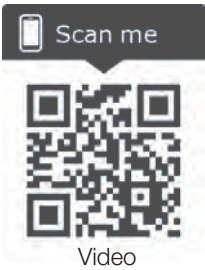
Supermarket with automated refill devices



Slide mechanism - change of rail

FIFO SUPERMARKETS - THE NEXT LEVEL

SUPERMARKETS SUPPORT THE STORAGE OF TROLLEY AFTER FIRST IN FIRST OUR PRINZIP. THIS PRINCIPLE WAS FURTHER DEVELOPED BY BLOKSMA AND EQUIPPED WITH COMPLEMENTARY INTELLIGENCE.



Long and narrow supermarkets tracks are problematic for workers, because they have great difficulty removing the front trolleys.

Thanks to the automatic refill function thought of by BLOKSMA, this problem is resolved. With this function it is guaranteed that the trolley entered first will always be ready at the end of the rail track for first removal.

The sensors of the automatic refill supermarket will recognize which position the trolley is in. Should the front sensor not be occupied then automatically a trolley will be moved forward from the back. The automatic supermarket will move a trolley from back to front after each removal.

The length of the supermarket with automatic refill function can be manufactured per customer requirements.

Further models/dimension available upon request.

