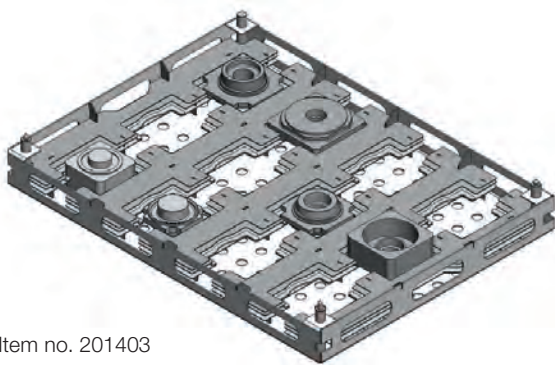


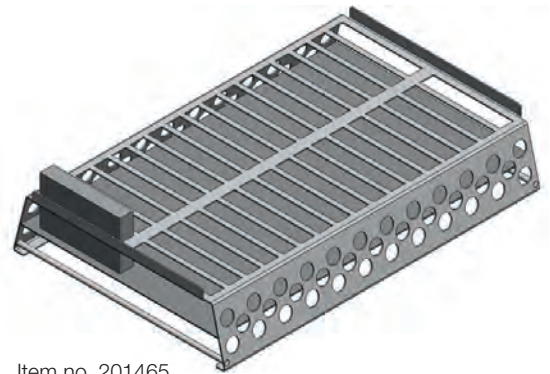
SHEET METAL CONSTRUCTION WTB I FOR LIGHT, SMALL AND HIGH PRECISION COMPONENTS WORKPIECE CARRIER

This workpiece carrier is perfectly suitable for the automatised production of high-precision and delicate components. The deposit elements (metal/plastic) are adapted to the product to be carried. The workpiece carrier can be made of steel, stainless steel, aluminium or of a combination of these materials.

Workpiece carriers are produced individually and based on the geometric form of the components to be carried. In the last 40 years BLOKSMA has developed more than 2400 different types of workpiece carriers.



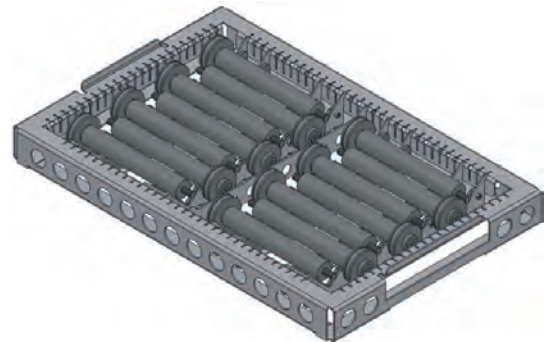
Item no. 201403



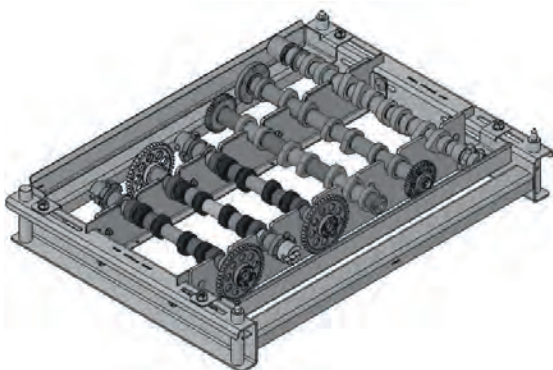
Item no. 201465



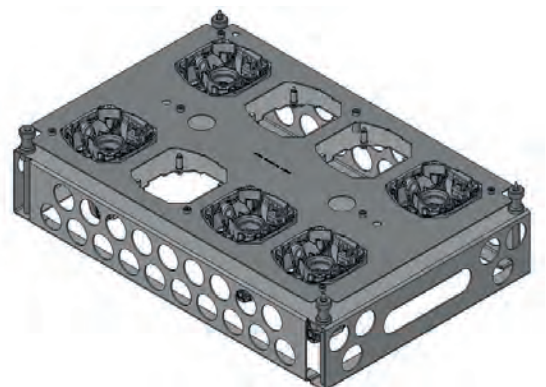
Item no. 146684



Item no. 147667

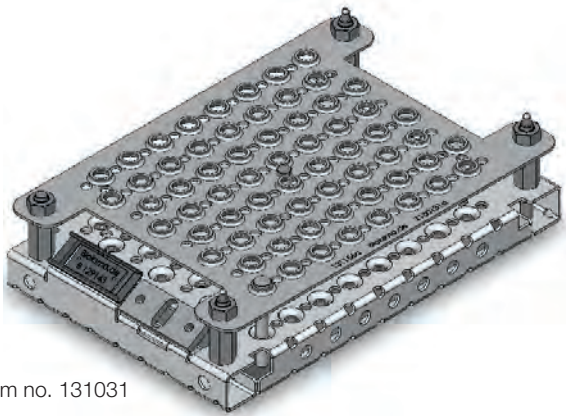


Item no. 139374

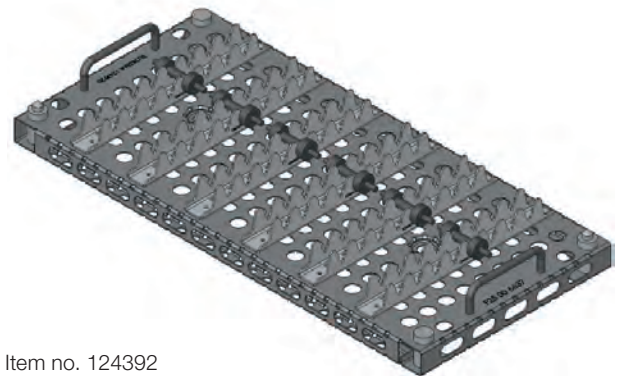


Item no. 137432

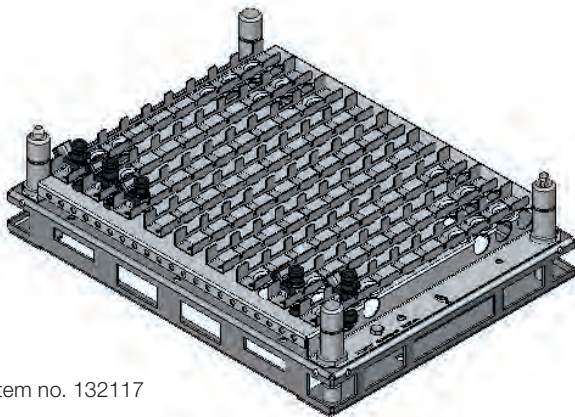
SHEET METAL CONSTRUCTION WTB II FOR LIGHT, SMALL AND HIGH PRECISION COMPONENTS WORKPIECE CARRIER



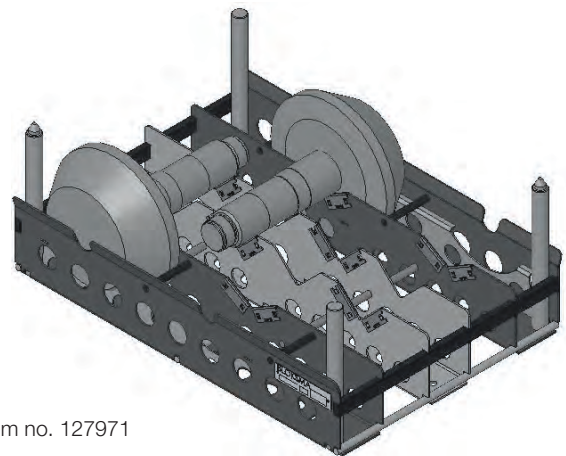
Item no. 131031



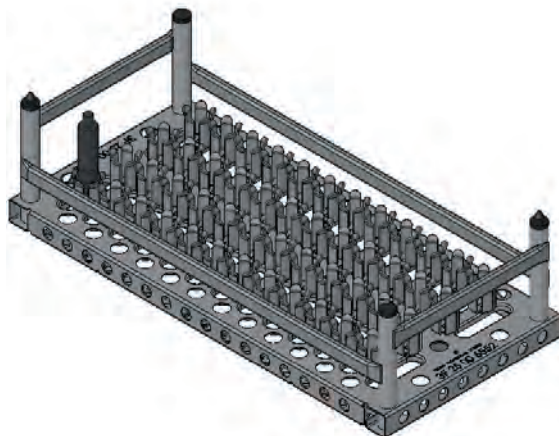
Item no. 124392



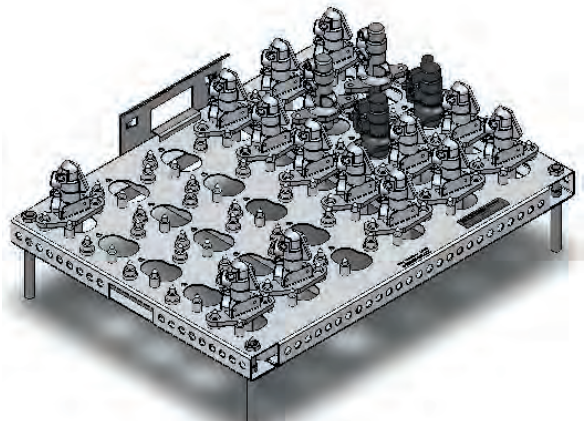
Item no. 132117



Item no. 127971



Item no. 138207



Item no. 130365

Other models / dimensions on request
Subject to technical changes