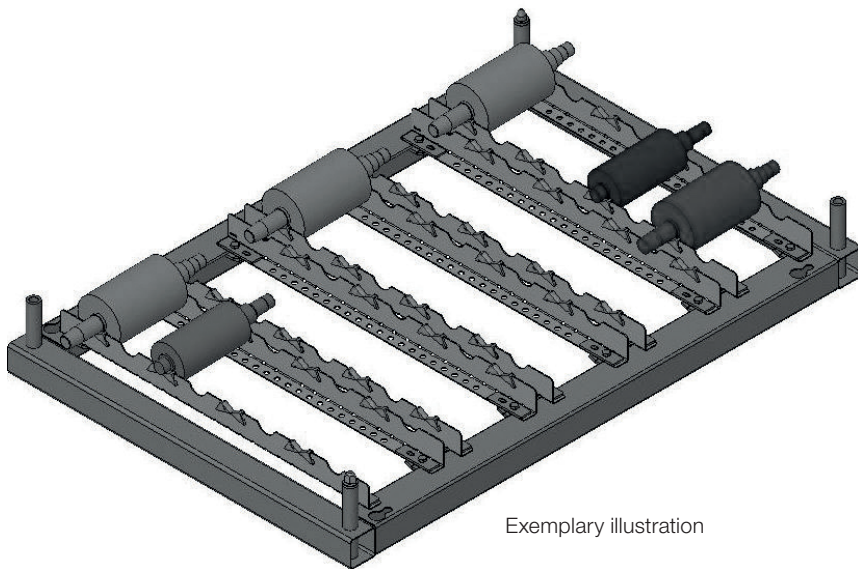


UNIVERSAL WORKPIECE CARRIER III

TUBULAR FRAME CONSTRUCTION

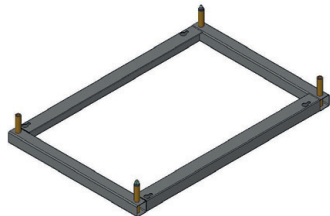
800x600mm

This workpiece carrier is perfectly suitable for the automatised productions. Its parts positioning is very precise. The carrier is made for multiple wash cycles and the deposit elements (metal/plastic) are adapted to the product to be carried. The workpiece carrier can be made of steel, stainless steel, aluminium or of a combination of these materials.



Exemplary illustration

WORKPIECE CARRIER FRAME

| Item no. | WST size | Centering of the product | model |
|--------------|------------|-------------------------------------|---|
| 202872-xxx-S | 800x600xSH | Terminal strip in the X- and Y-axis |  |

DEPOSIT RAIL

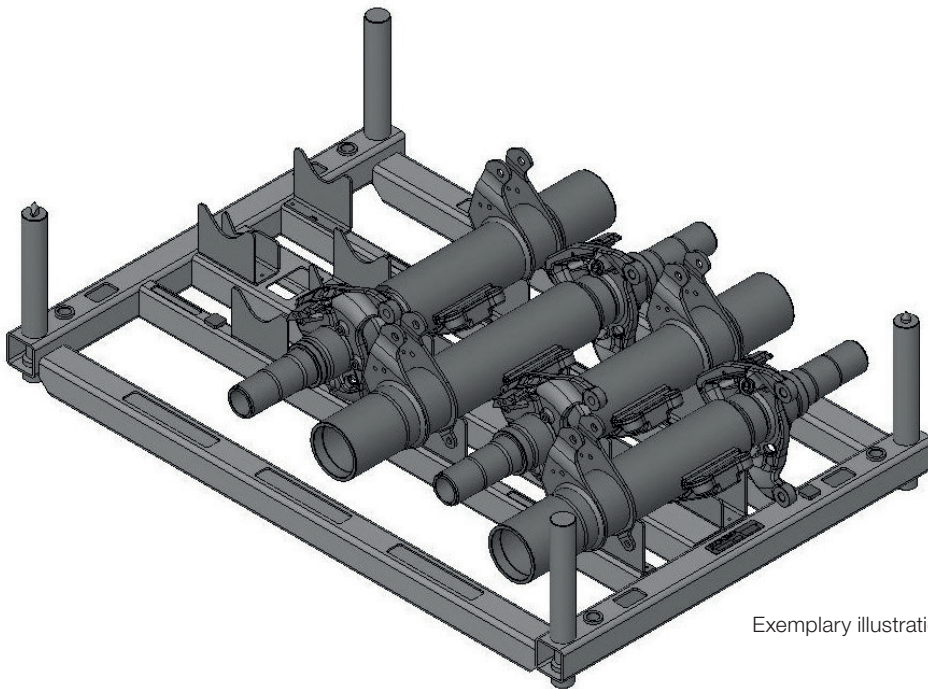
| | | | |
|--------|--|---|---|
| xxxxxx | | Recording profiles are custom-made. Depending on length (lengthwise or crosswise in WST), part diameter, Materials and the like |  Exemplary illustration |
|--------|--|---|---|

UNIVERSAL WORKPIECE CARRIER IV

TUBULAR FRAME CONSTRUCTION


1,200x800mm

This workpiece carrier is perfectly suitable for the automatised productions. Its parts positioning is very precise. The carrier is made for multiple wash cycles and the deposit elements (metal/plastic) are adapted to the product to be carried. The workpiece carrier can be made of steel, stainless steel, aluminium or of a combination of these materials.



Exemplary illustration

WORKPIECE CARRIER FRAME

| Item no. | WST Größe | Centering of the product | model |
|--------------|--------------|-------------------------------------|---|
| 202873-xxx-S | 1,200x800xSH | Terminal strip in the X- and Y-axis |  |

DEPOSIT RAIL

| | | | |
|--------|--|---|---|
| xxxxxx | | Recording profiles are custom-made. Depending on length (lengthwise or crosswise in WST), part diameter, Materials and the like |  Exemplary illustration |
|--------|--|---|---|