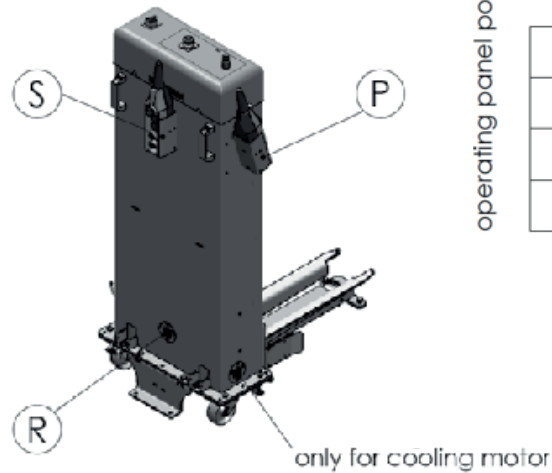
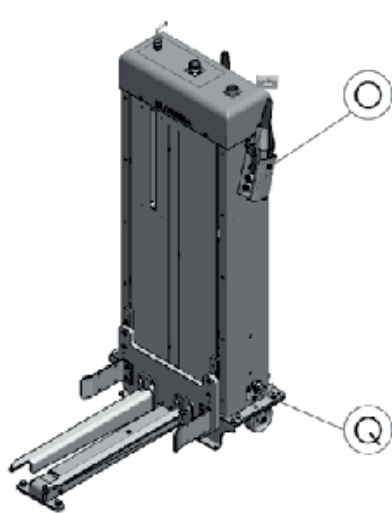




# DATASHEET LIFTERS FRONT

## Connection possibilities



operating panel position

electrical connection 230

	Q	R
O	X	X
P	X	X
S	X	X

### STANDARD

- Lifting unit, front cover
- Powder-coated RAL9010
- Hood RAL 4006
- Lifting device galvanized
- Operation panel position ,O'
- Electric connection ,Q'
- Electric cable 2.5m
- Operation panel cable 3.5m

### Options for panel positions

- O: top right side
- P: top left side
- S: top middle back

### Electric connection 230V/50Hz

- Q: bottom right side
- R: bottom middle back

### Main switch on top of the lifter right

### Emergency Stop push button

- top middle
- and on the external panel

### external operating panel

emergency stop button

push-button "push up"

(luminous white)

push-button "push down"

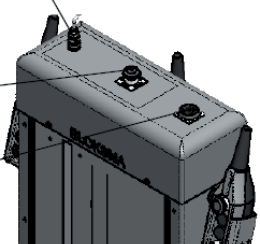
(luminous white)



connection to external operating panel

emergency stop button

main switch

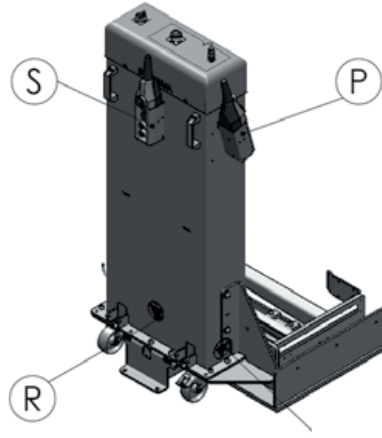
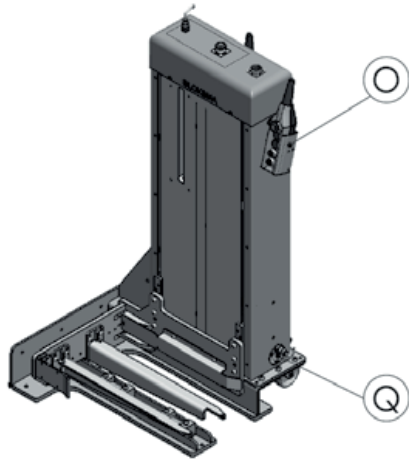


# DATENBLATT LIFTERS RIGHT SIDE LOADING

## Anschlussmöglichkeiten



2



operating panel position

electrical connection 230

	Q	R
O	X	X
P	X	X
S	X	X

only for cooling motor

### STANDARD

- Lifting unit, front cover
- Powder-coated RAL9010
- Hood RAL 4006
- Lifting device galvanized
- Operation panel position ,O'
- Electric connection ,Q'
- Electric cable 2.5m
- Operation panel cable 3.5m

external operating panel

emergency stop button

push-button "push up"  
(beleuchtet weiß /  
luminous white)

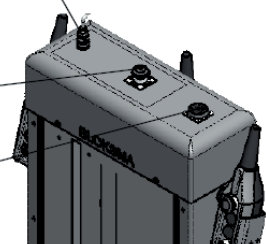
push-button "push down"  
(beleuchtet weiß /  
luminous white)



connection to external  
operating panel

emergency stop button

main switch



### Options for panel positions

- O: top right side
- P: top left side
- S: top middle back

Electric connection 230V/50Hz

- Q: bottom right side
- R: bottom middle back

### Main switch on top of the lifter right

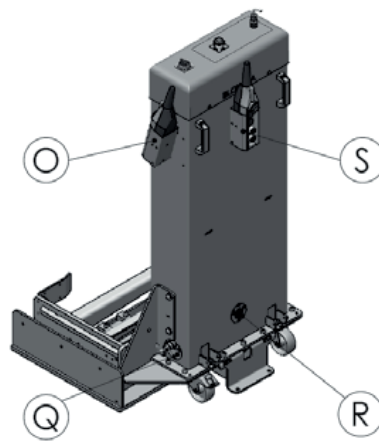
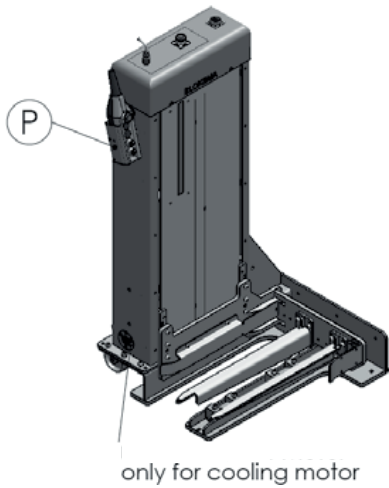
### Emergency Stop push button

top middle  
and on the external panel



# DATA SHEET LIFTERS RIGHT SIDE LOADING

## Connection possibilities



operating panel position

electrical connection 230

	Q	R
O	X	X
P	X	X
S	X	X

### STANDARD

- Lifting unit, front cover
- Powder-coated RAL9010
- Hood RAL 4006
- Lifting device galvanized
- Operation panel position ,O'
- Electric connection ,Q'
- Electric cable 2.5m
- Operation panel cable 3.5m

### Options for panel positions

- O: top right side
- P: top left side
- S: top middle back

### Electric connection 230V/50Hz

- Q: bottom right side
- R: bottom middle back

### Main switch on top of the lifter right

### Emergency Stop push button

- top middle
- and on the external panel

### external operating panel

emergency stop button

push-button "push up"  
(beleuchtet weiß /  
luminous white)

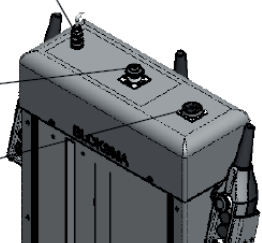
push-button "push down"  
(beleuchtet weiß /  
luminous white)



connection to external  
operating panel

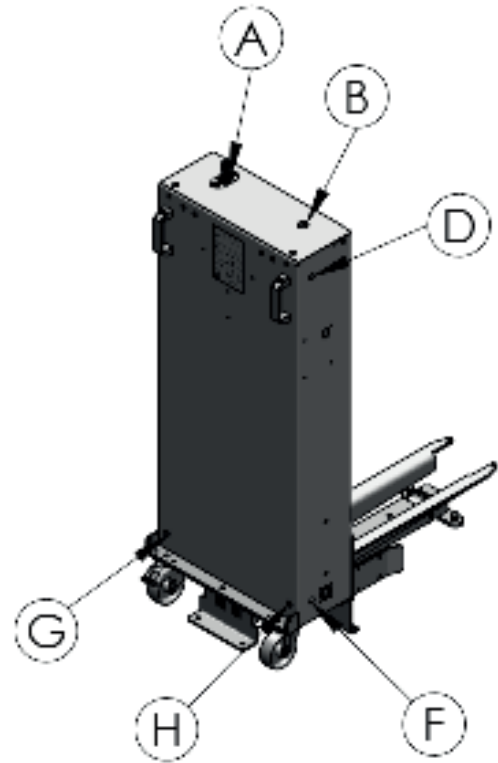
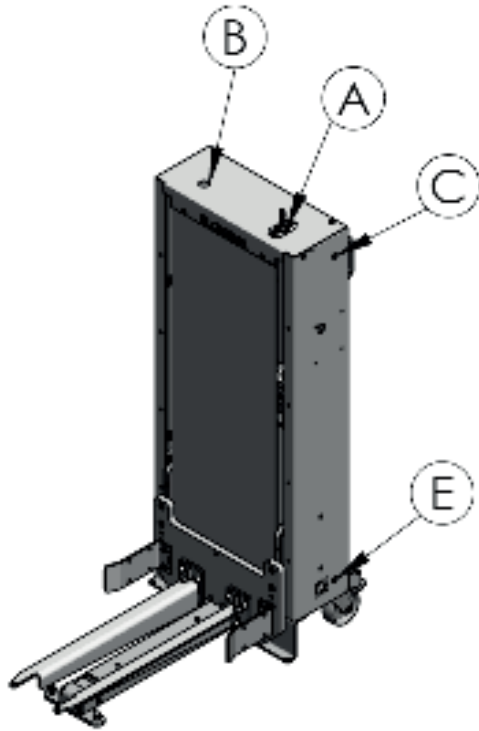
emergency stop button

main switch



# DATA SHEET LIFTERS FRONT LOADING

## Connection possibilities



2

**STANDARD**

lifting unit, front cover color RAL9010  
 Lifting device galvanized  
 hand lever position A  
 air connection positions E  
 pneumatics 6 bar

**possible hand lever positions**

- A: top right
- B: top left
- C: top right side
- D: top left side

**mögliche Luftanschlüsse**

- A: top right
- B: top left
- C: top right side
- D: top left side
- E: bottom right side
- F: bottom left side
- G: bottom right back
- H: bottom left back

possible position air connection

possible position hand lever

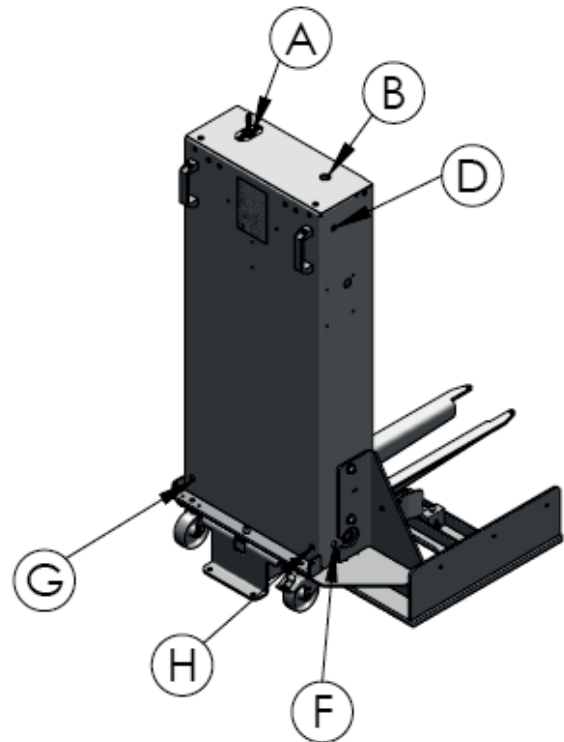
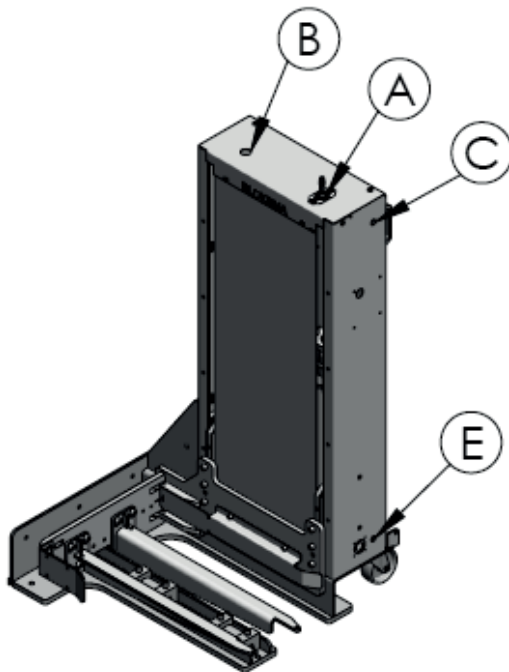
	A	B	C	D	E	F	G	H
A	/	X	X	X	X	X	X	X
B	X	/	X	X	X	X	X	X
C	X	X	/	X	X	X	X	X
D	X	X	X	/	X	X	X	X



# DATENBLATT LIFTERS RIGHT SIDE LOADING

Connection possibilities

2



**STANDARD**

lifting unit, front cover color RAL9010  
 Lifting device galvanized  
 hand lever position A  
 air connection positions E  
 pneumatics 6 bar

**possible hand lever positions**

- A: top right
- B: top left
- C: top right side
- D: top left side

**mögliche Luftanschlüsse**

- A: top right
- B: top left
- C: top right side
- D: top left side
- E: bottom right side
- F: bottom left side
- G: bottom right back
- H: bottom left back

possible position hand lever

possible position air connection

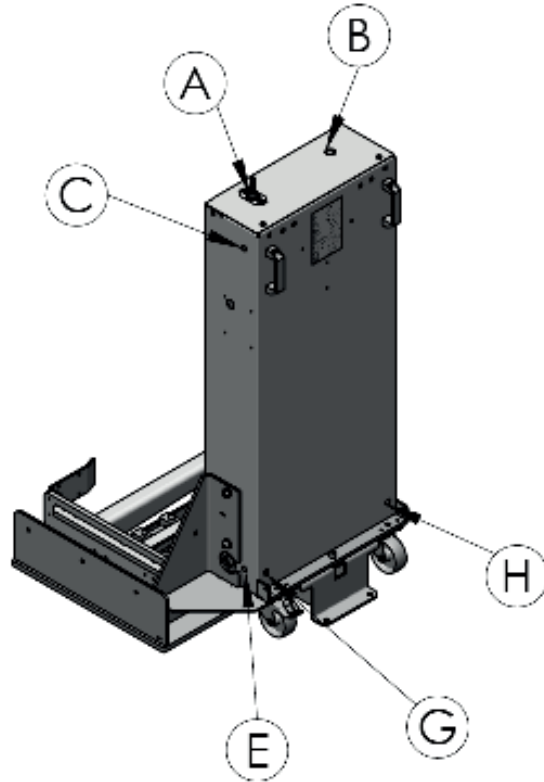
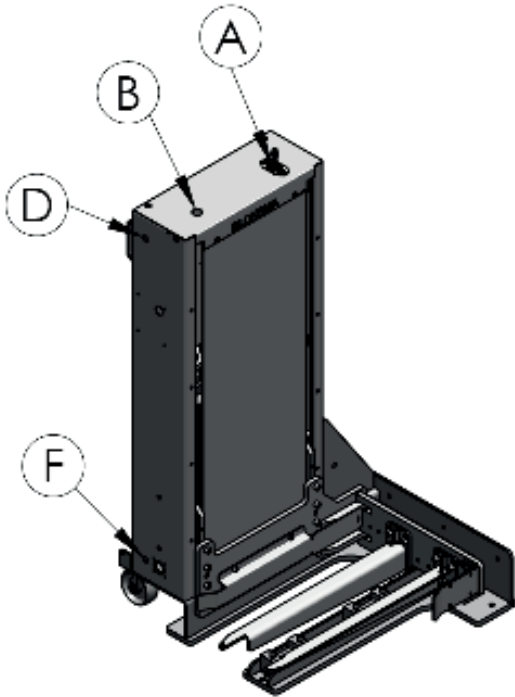
	A	B	C	D	E	F	G	H
A	/	X	X	X	X	X	X	X
B	X	/	X	X	X	X	X	X
C	X	X	/	X	X	X	X	X
D	X	X	X	/	X	X	X	X

# DATASHEET LIFTERS LEFT SIDE LOADING

Connection possibilities



2



**STANDARD**

lifting unit, front cover color RAL9010  
 Lifting device galvanized  
 hand lever position A  
 air connection positions E  
 pneumatics 6 bar

**possible hand lever positions**

- A: top right
- B: top left
- C: top right side
- D: top left side

**possible air connections**

- A: top right
- B: top left
- C: top right side
- D: top left side
- E: bottom right side
- F: bottom left side
- G: bottom right back
- H: bottom left back

possible position hand lever

possible position air connection

	A	B	C	D	E	F	G	H
A	/	X	X	X	X	X	X	X
B	X	/	X	X	X	X	X	X
C	X	X	/	X	X	X	X	X
D	X	X	X	/	X	X	X	X