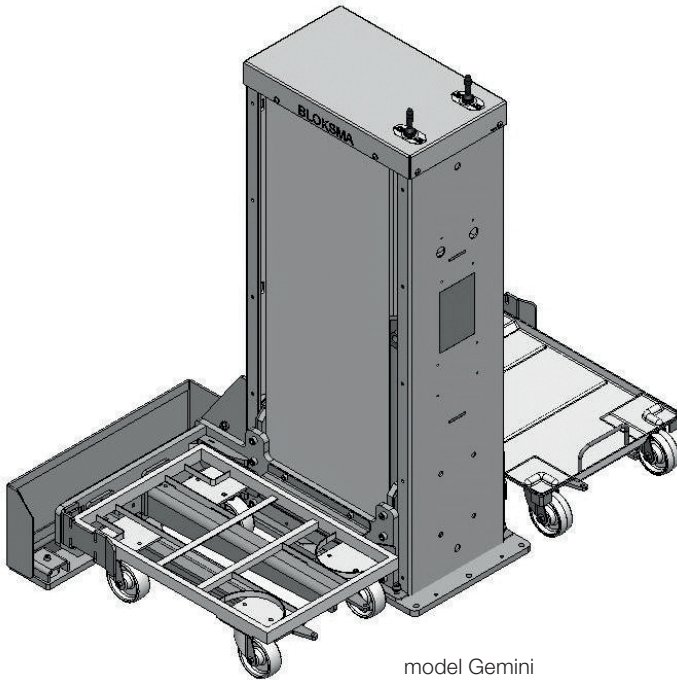


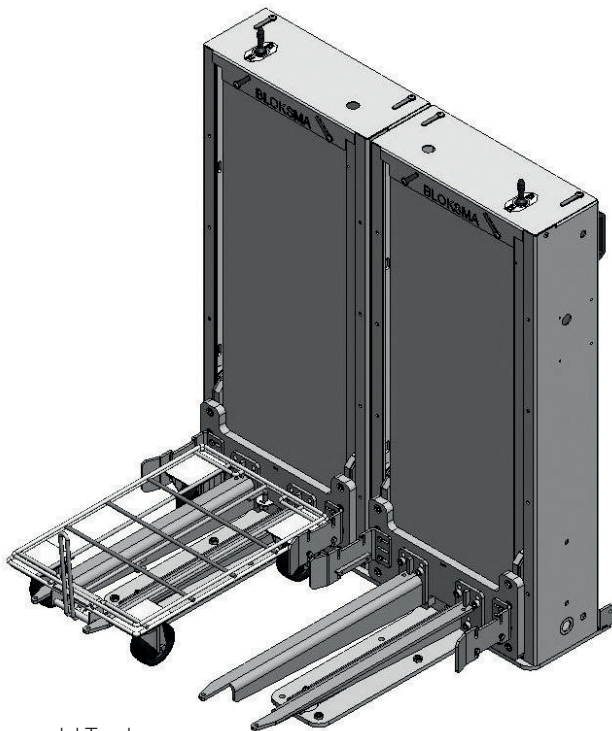
LIFTERS**GEMINI, TWIN UND TANDEM**

trolley is pushed onto the forks lengthwise

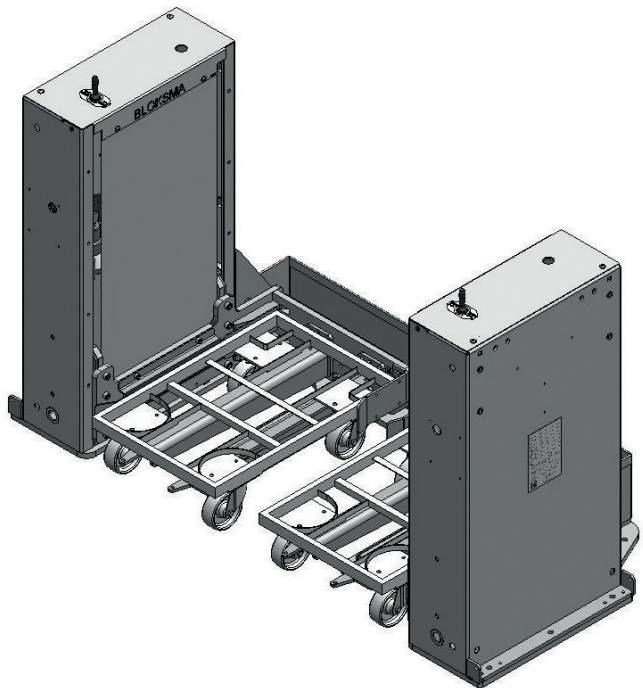
HPS-G / HPS-T



model Gemini



model Tandem



model Twin



This lifter is designed to lift and lower fully loaded trolleys for working at assembly work stations or machines. The lifter can lift loads of 200kg to 300kg per side and has a working height (GOK) of 715mm or 935mm. It is manufactured only as a stationary unit.

The air pressure is 6 bar.

The lifter is suitable for BLOKSMA trolleys BOF + BOZ.

For more information please turn to page 12 (chapter trolleys).

The standard control element is an external operating panel.

For more information please turn to page 78 (chapter Control Elements).

GEMINI

stationary	size of trolley	lifting capacity	lift height on level (GOK)
141869	600x400 mm 630x430mm	200 kg each side	715 mm
142605	600x400 mm 630x430mm	200 kg each side	935 mm
145542	600x400 mm 630x430 mm	300 kg each side	715 mm
145540	600x400 mm 630x430 mm	300 kg each side	935 mm

TANDEM

stationary	size of trolley	lifting capacity	lift height on level (GOK)
130754	600x400 mm 630x430 mm	300 kg each side	715 mm
146225	600x400 mm 630x430 mm	200 kg each side	935 mm

TWIN

stationary	size of trolley	lifting capacity	lift height on level (GOK)
145319	600x400mm 630x430mm	400 kg each side	715 mm
137292	600x400mm 630x430mm	200 kg each side	935 mm