

LIFTERS

LEFT SIDE LOADING

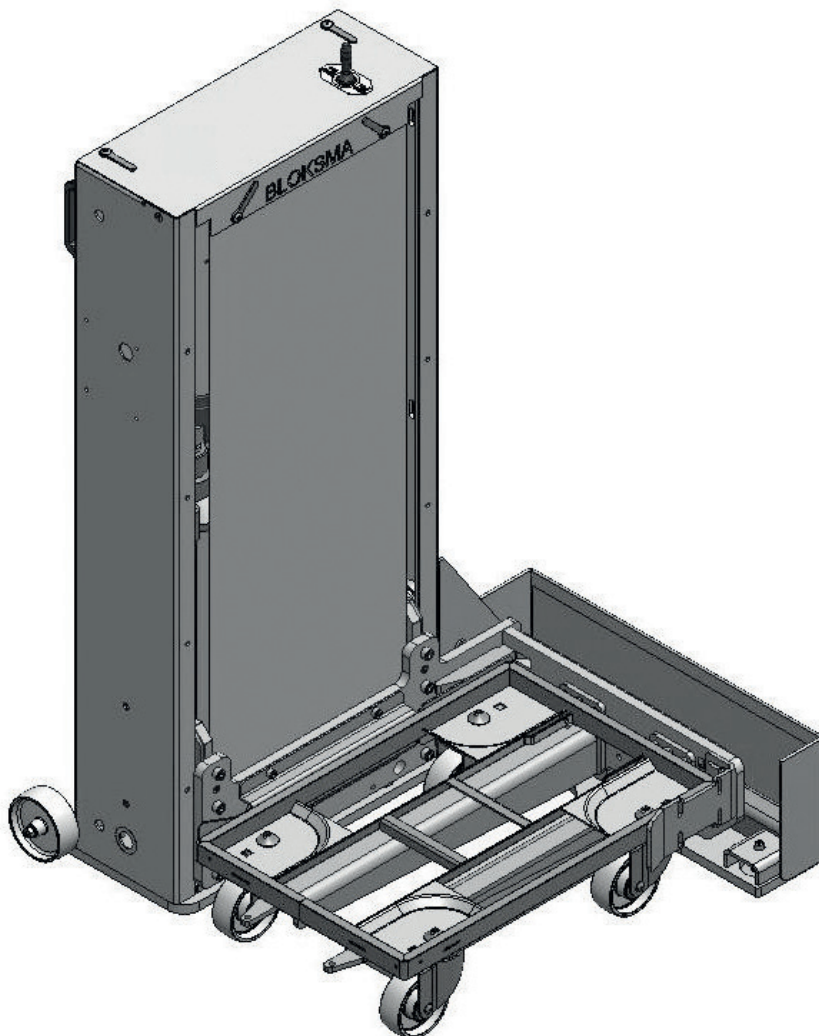
trolley is pushed onto the forks lengthwise

HPS-L / HPT-L / HPM-L

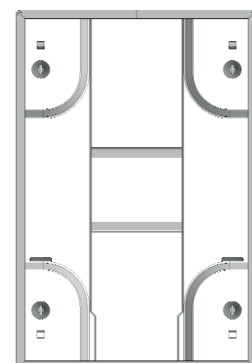
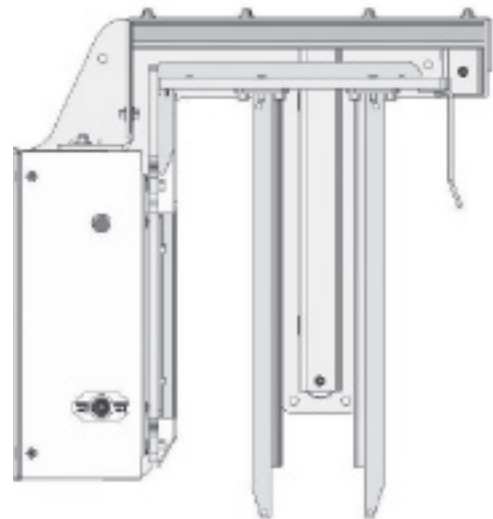
2

OPTIONAL

- Stationary devices available



picture: semi-mobile device



loading lengthwise

Other models / dimensions on request

Subject to technical changes



This lifter is designed to lift and lower fully loaded trolleys for working at assembly work stations or machines. The pictured lifter is left side loading in which the trolley is pushed onto the forks lengthwise. The load capacity is 200 kg, 300 kg and 500 kg and has a working height of 715 mm or 935mm. It is manufactured as mobile, semi-mobile or stationary.

The air pressure is 6 bar.

The lifter is suitable for lengthwise pushed BLOKSMA trolleys BOF + BOZ.

For more information please turn to page 12 (chapter trolleys).

The standard control element is an external operating panel.

For more information please turn to page 78 (chapter Control Elements).

FOR TROLLEY BOF/BOZ LENGTHWISE 600x400mm

semi-mobile	mobile	lifting capacity	lift height on level (GOK)
133465	137244	200 kg	715 mm
137269	137245		935 mm
137270	137246	300 kg	715 mm
137271	137247		935 mm
202723	202725	500 kg	715 mm
202724	202726		935 mm

FOR TROLLEY BOF/BOZ LENGTHWISE 800x600mm

semi-mobile	mobile	lifting capacity	lift height on level (GOK)
137228	137252	200 kg	715 mm
137277	137253		935 mm
137278	137254	300 kg	715 mm
137279	137255		935 mm
202729	on request	500 kg	715 mm
202730	on request		935 mm

LIFTERS

LEFT SIDE LOADING

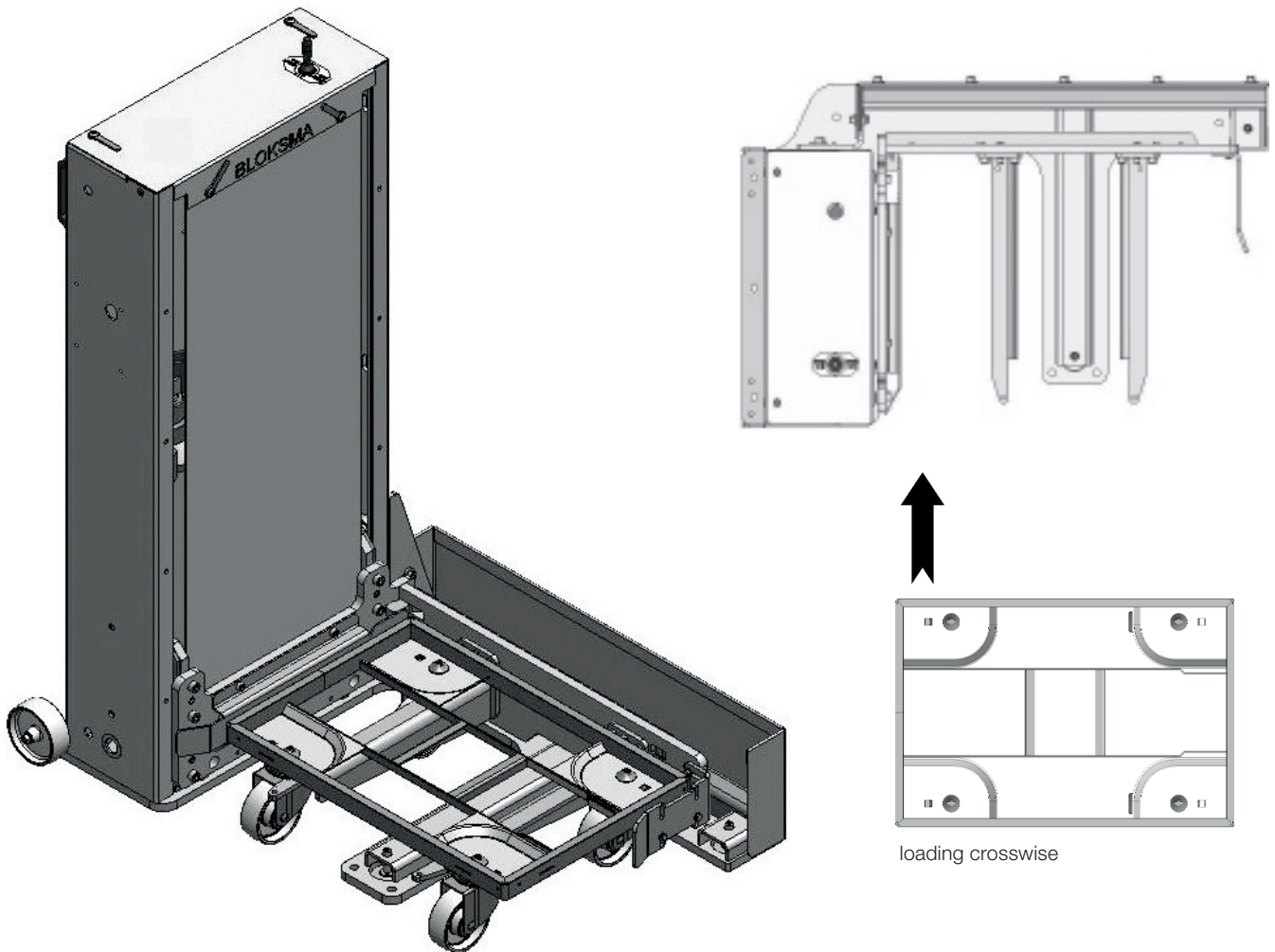
trolley is pushed onto the forks crosswise

HPS-L / HPT-L / HPM-L

2

OPTIONAL

- Stationary devices available



picture: semi-mobile device



This lifter is designed to lift and lower fully loaded trolleys for working at assembly work stations or machines. The pictured lifter is a left side loading device and the trolleys is pushed onto the forks crosswise. The load capacity is 200kg, 300kg and 500kg and has a working height of 715mm or 935mm. It is manufactured as mobile, semi-mobile or stationary.

The air pressure is 6 bar.

The lifter is suitable for crosswise pushed BLOKSMA trolleys BOF + BOZ.

For more information please turn to page 12 (chapter trolleys).

The standard control element is an external operating panel.

For more information please turn to page 78 (chapter Control Elements).

FOR TROLLEY BOF/BOZ CROSSWISE 600x400mm

semi-mobile	mobile	lifting capacity	lift height on level (GOK)
137708	139547	200 kg	715 mm
139624	139548		935 mm
139625	139549	300 kg	715 mm
139626	139550		935 mm
202735	202737	500 kg	715 mm
202736	202738		935 mm

FOR TROLLEY BOF/BOZ CROSSWISE 800x600mm

semi-mobile	mobile	lifting capacity	lift height on level (GOK)
139629	139553	200 kg	715 mm
139630	139554		935 mm
139631	on request	300 kg	715 mm
139632	on request		935 mm
202741	on request	500 kg	715 mm
202742	on request		935 mm