

LIFTERS

RIGHT SIDE LOADING

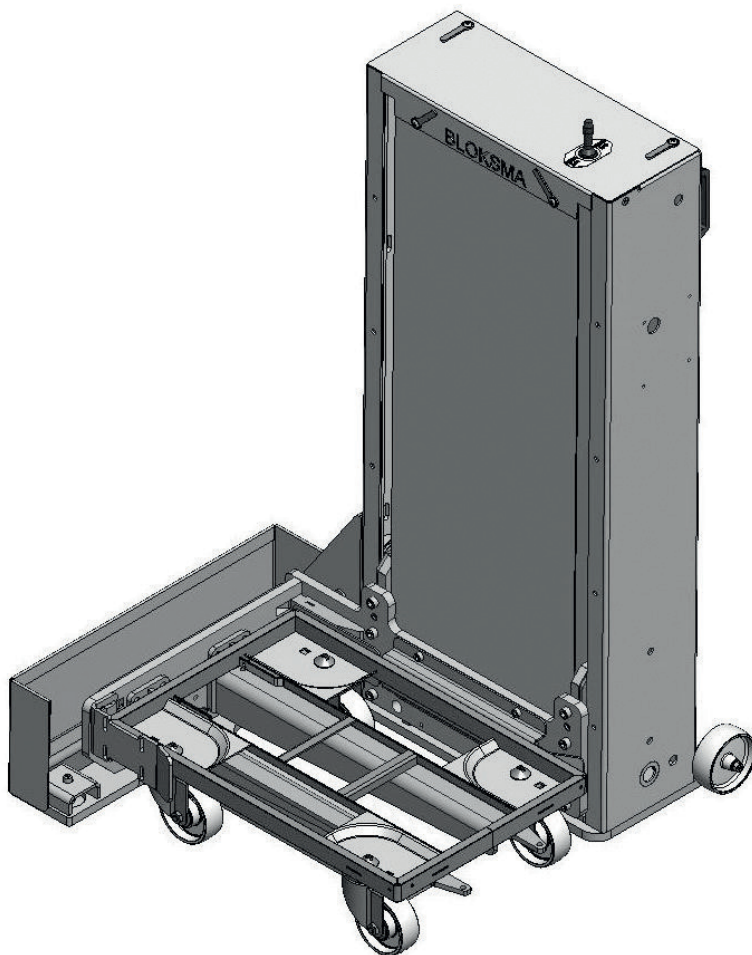
trolley is pushed onto the forks lengthwise

HPS-R / HPT-R / HPM-R

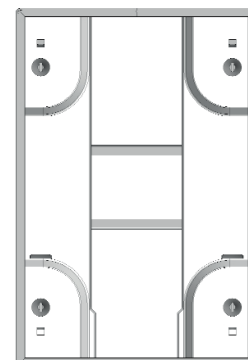
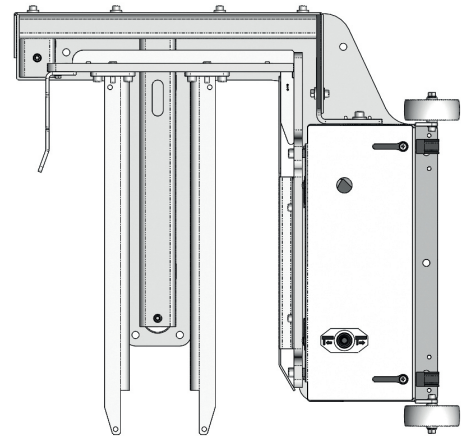
2

OPTIONAL

- Stationary device available



picture: semi-mobile lifter



loading lengthwise



This lifter is designed to lift and lower fully loaded trolleys for working at assembly work stations or machines. The pictured lifter is a right side loading device and the trolley is pushed onto the forks lengthwise. The lifter can lift loads of 200 kg, 300 kg and 500 kg and has a working height of 715mm or 935mm. It is manufactured as mobile, semi-mobile or stationary.

The air pressure is 6 bar.

The lifter is suitable for lengthwise pushed BLOKSMA trolleys BOF + BOZ.

For more information please turn to page 12 (chapter trolleys).

The standard control element is an external operating panel.

For more information please turn to page 78 (chapter Control Elements).

FOR TROLLEY BOF/BOZ LENGTHWISE 600x400mm

semi-mobile	mobile	lifting capacity	lift height on level (GOK)
133466	137172	200 kg	715 mm
134642	137173		935 mm
137198	137174	300 kg	715 mm
137199	137175		935 mm
202699	202701	500 kg	715 mm
202700	200702		935 mm

FOR TROLLEY BOF/BOZ LENGTHWISE 800x600mm

semi-mobile	mobile	lifting capacity	lift height on level (GOK)
137204	137180	200 kg	715 mm
137205	137181		935 mm
137206	137182	300 kg	715 mm
137207	137183		935 mm
202705	on request	500 kg	715 mm
202706	on request		935 mm

LIFTERS

RIGHT SIDE LOADING

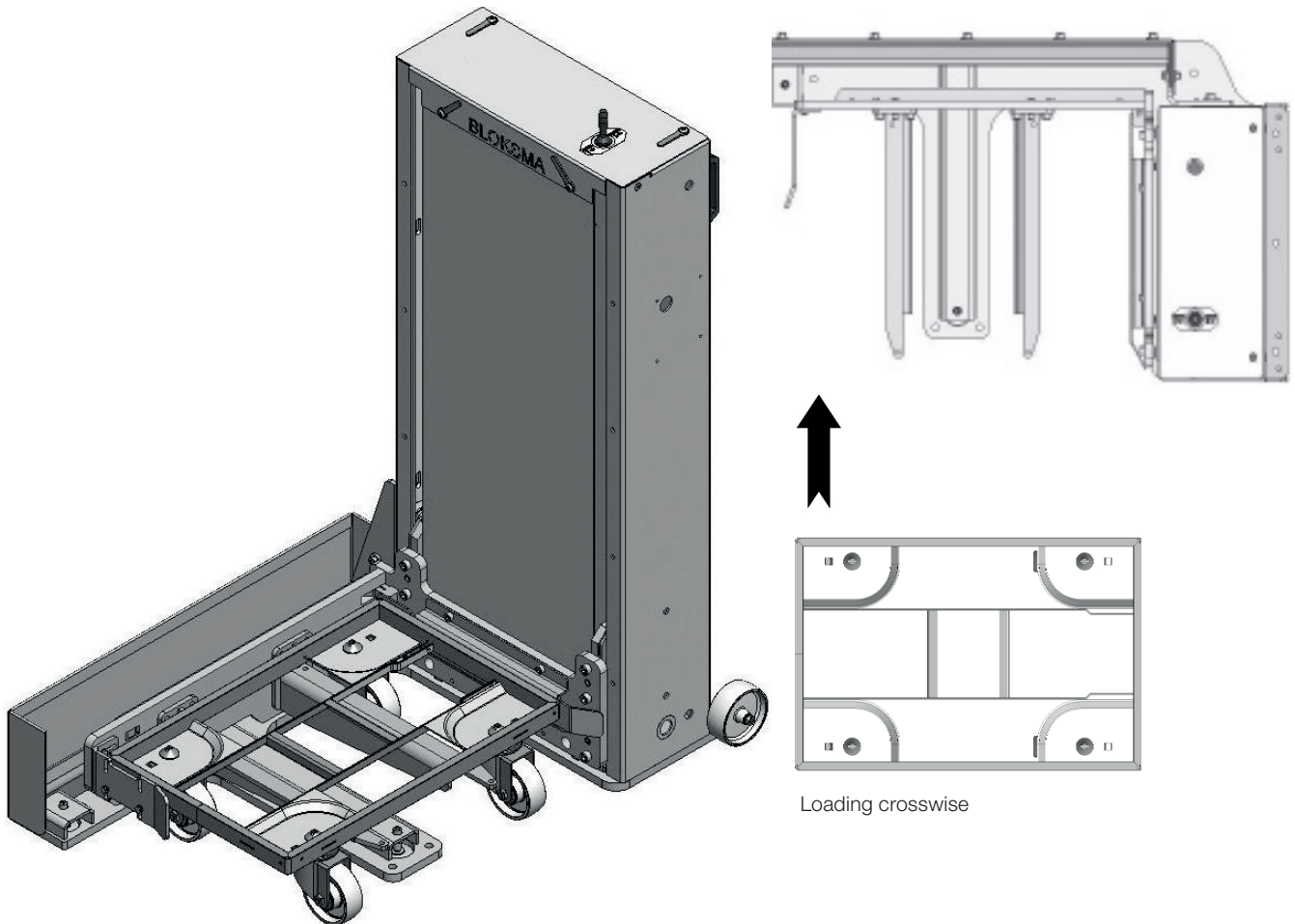
trolley is pushed onto the forks crosswise

HPS-R / HPT-R / HPM-R

2

OPTIONAL

- Stationary devices available



picture: semi-mobile lifter



This lifter is designed to lift and lower fully loaded trolleys for working at assembly work stations or machines. The pictured lifter is a right side loading device and the trolley is pushed onto the forks crosswise. The load capacity is 200kg, 300kg and 500kg and has a working height of 715mm or 935mm. It is manufactured as mobile, semi-mobile or stationary.

The air pressure is 6 bar.

The lifter is suitable for crosswise pushed BLOKSMA trolleys BOF + BOZ.

For more information please turn to page 12 (chapter trolleys).

The standard control element is an external operating panel.

For more information please turn to page 78 (chapter Control Elements).

FOR TROLLEY BOF/BOZ LENGTHWISE 600x400mm

semi-mobile	mobile	lifting capacity	lift height on level (GOK)
137709	139523	200 kg	715 mm
139635	139524		935 mm
139636	139525	300 kg	715 mm
139637	139526		935 mm
202711	202713	500 kg	715 mm
202712	202714		935 mm

FOR TROLLEY BOF/BOZ LENGTHWISE 800x600 mm

semi-mobile	mobile	lifting capacity	lift height on level (GOK)
139640	139529	200 kg	715 mm
139641	139530		935 mm
139642	on request	300 kg	715 mm
139643	on request		935 mm
202717	on request	500 kg	715 mm
202718	on request		935 mm