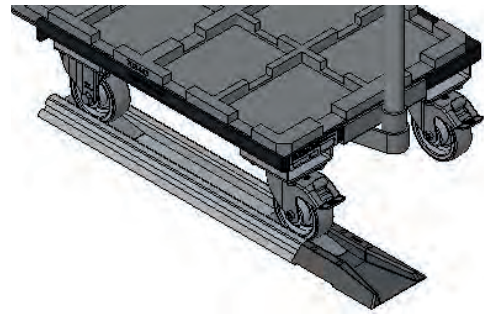
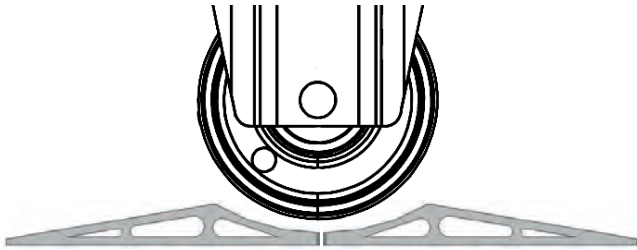


SUPERMARKT DIVERSE BRAKING SYSTEMS

3

A – RETURN STOP



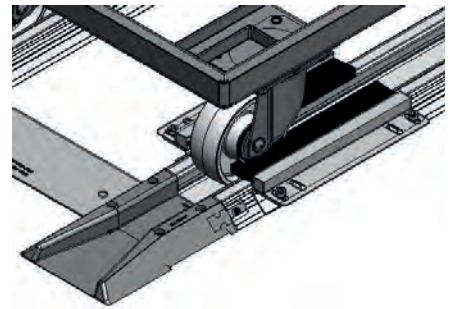
B – BRUSH BRAKE



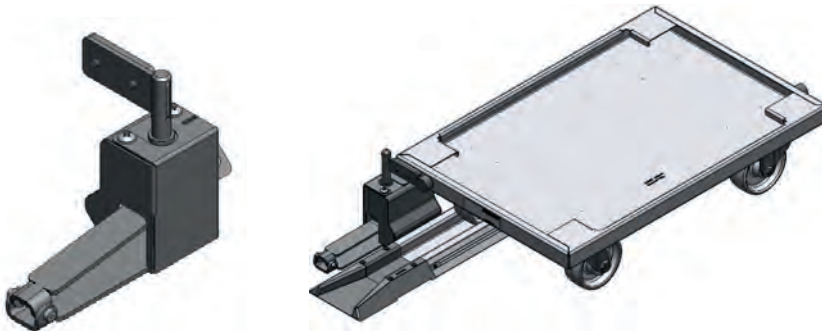
Big gap – minor brake effect



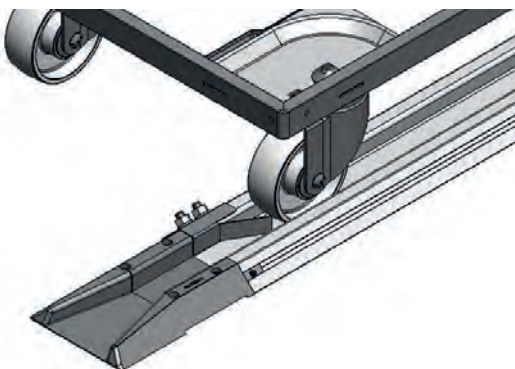
Small gap – major brake effect



C – MECHANICAL OR ELECTRICAL LOCKED STOPPER



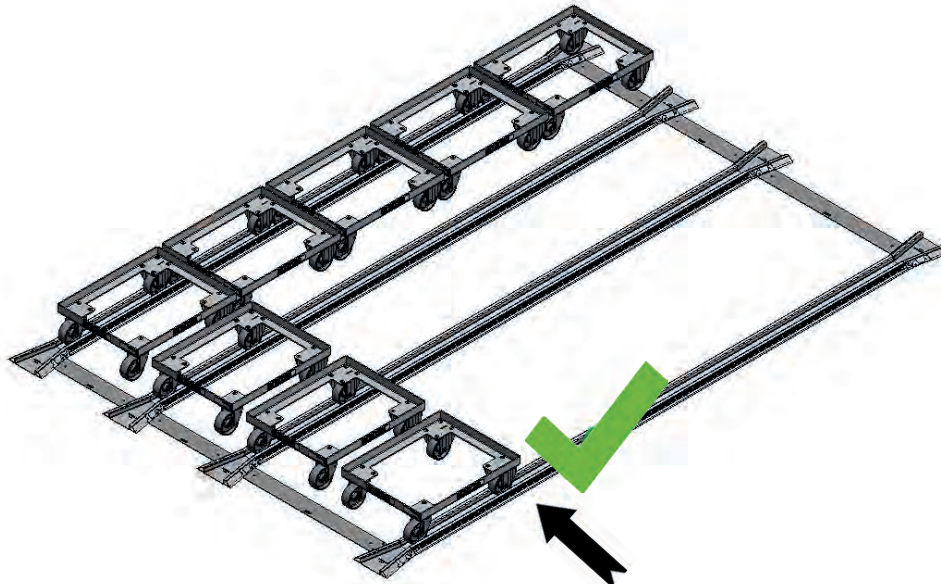
D – BACK STOP



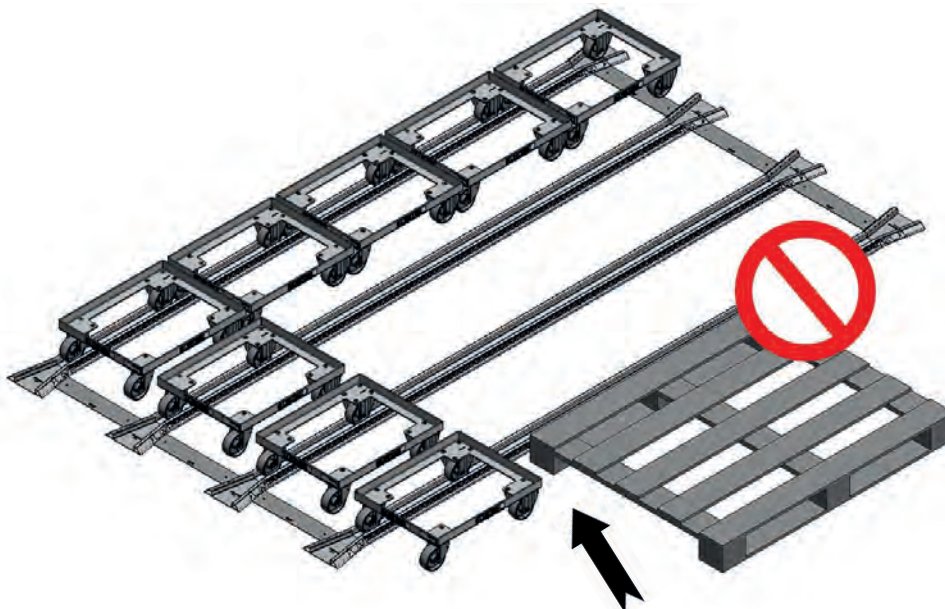
Due to the back stop the supermarket is only accessible in one direction.

SUPERMARKET ASSEMBLY INSTRUCTION

FIND THE CORRECT DIMENSIONS OF THE REQUIRED SURFACE



The end closure section serves as a lateral limitation of the supermarket.



The end closure section is missing. So there is a risk that „obstacles“ are placed inside the supermarkets' space.