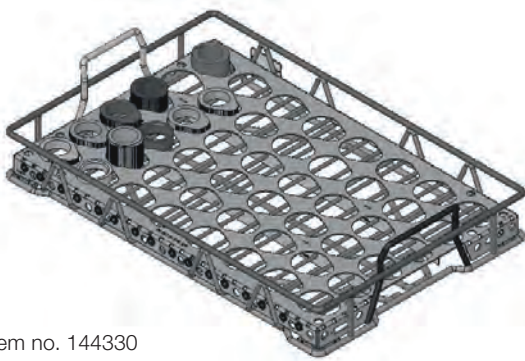


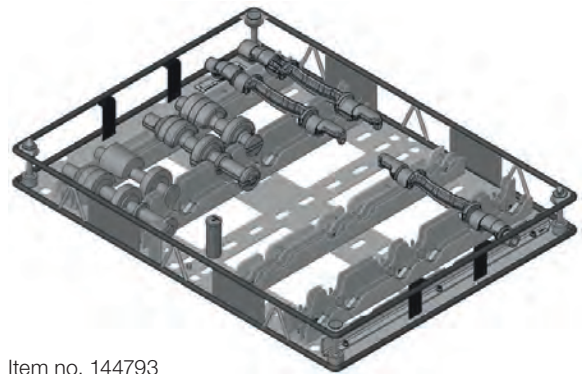
# WIRE CONSTRUCTION WTD I FOR LIGHT AND MEDIUM-WEIGHT COMPONENTS WORKPIECE CARRIER

This workpiece carrier is perfectly suitable for the automatised production of high-precision and delicate components. The deposit elements (metal/plastic) are adapted to the product to be carried. The workpiece carrier can be made of steel, stainless steel, aluminium or of a combination of these materials.

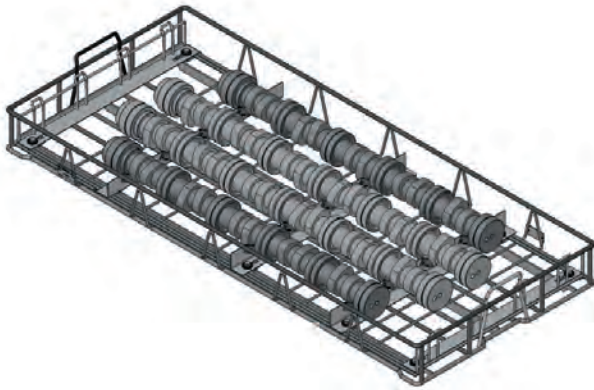
Workpiece carriers are produced individually and based on the geometric form of the components to be carried. In the last 40 years BLOKSMA has developed more than 2400 different types of workpiece carriers.



Item no. 144330



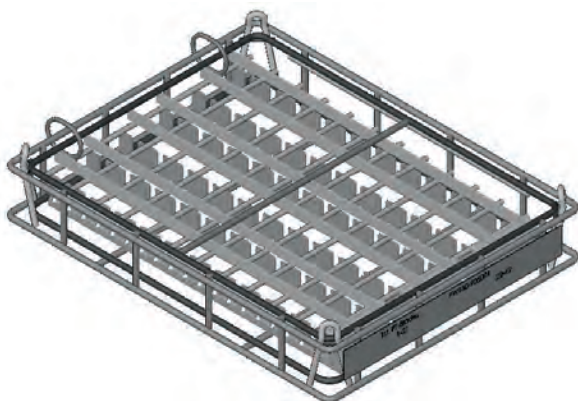
Item no. 144793



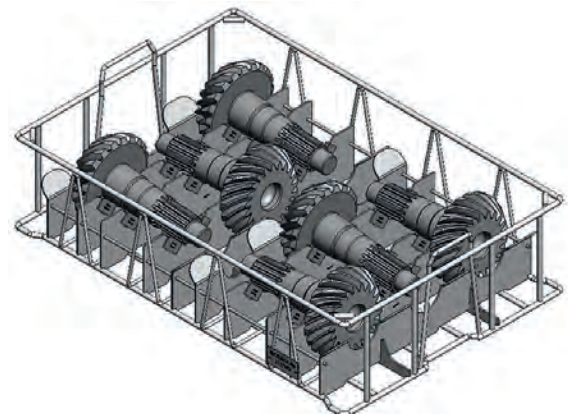
Item no. 142176



Item no. 136304



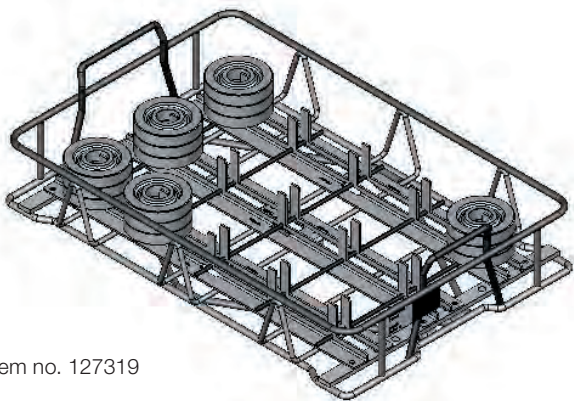
Item no. 133106



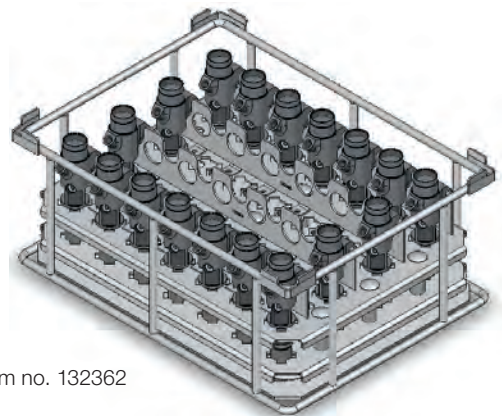
Item no. 147983

**Other models / dimensions on request**  
Subject to technical changes

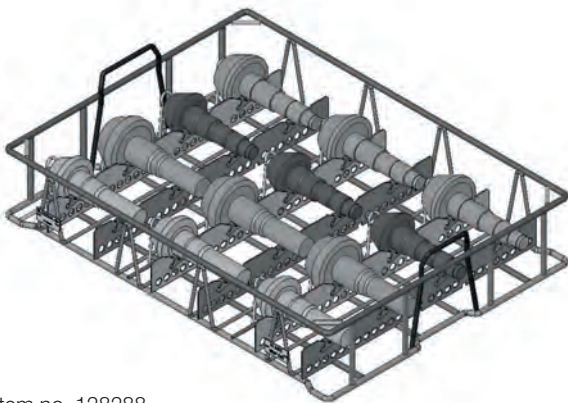
# WIRE-SHEET METAL CONSTRUCTION WTD II FOR LIGHT AND MEDIUM-WEIGHT COMPONENTS WORKPIECE CARRIER



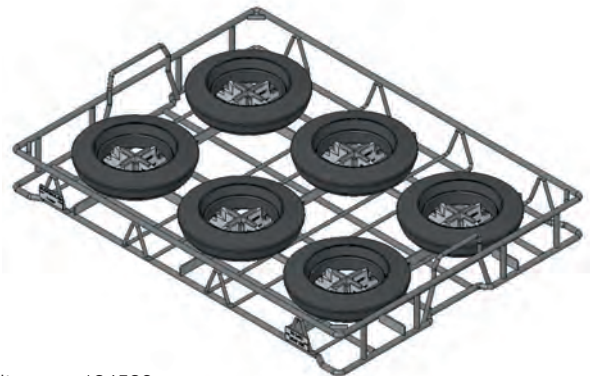
Item no. 127319



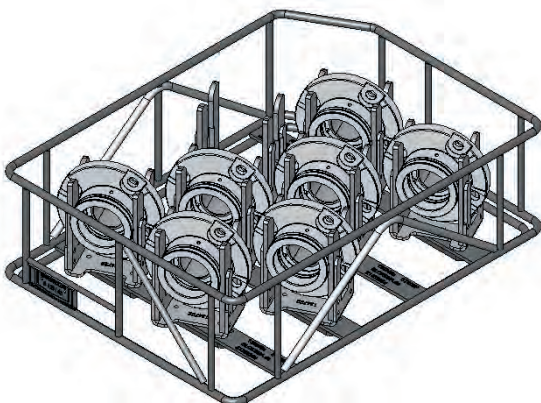
Item no. 132362



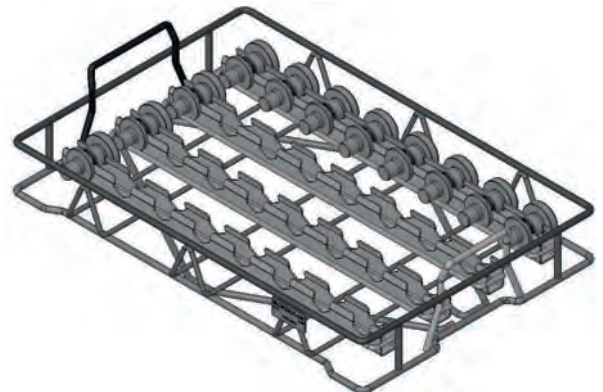
Item no. 128288



Item no. 124520



Item no. 133555



Item no. 131661

**Other models / dimensions on request**  
Subject to technical changes